



IntesisHome®

Wi-Fi interface for LG AC and AWHP units

1. Dimensions

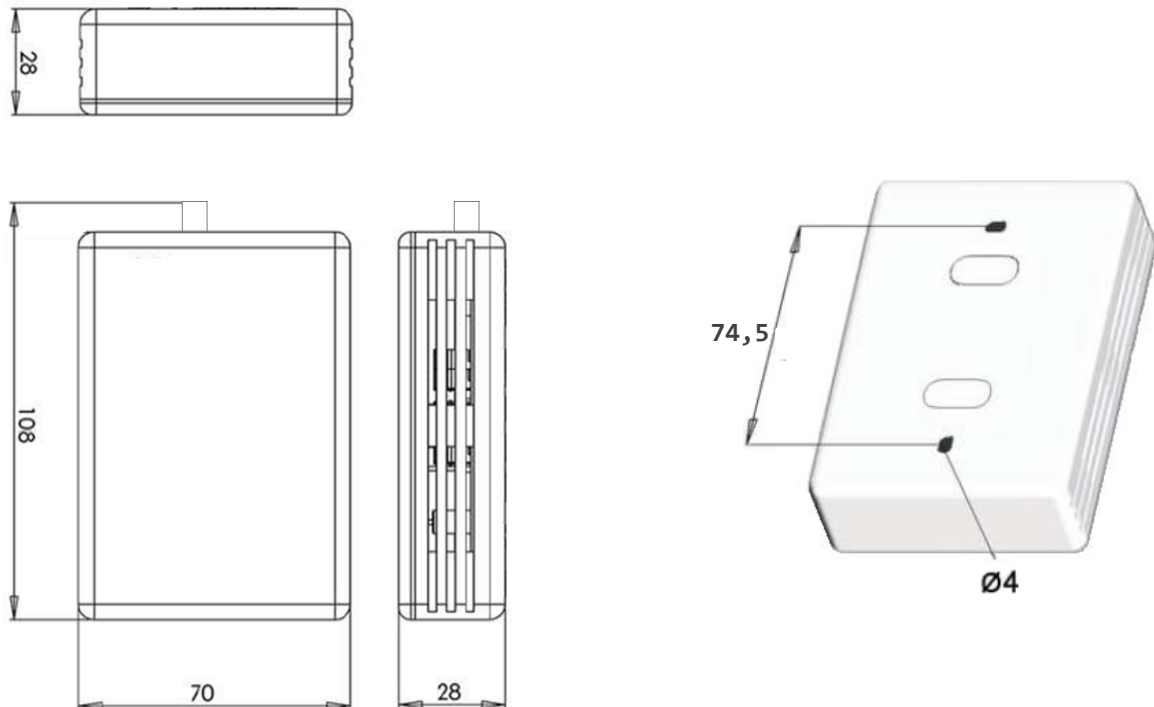


Figure 1.1 IntesisHome® device dimensions in mm and back view with fixing holes

2. Technical Features

| | |
|------------------------------|---|
| Enclosure | ABS (UL 94 HB). 2,5 mm thickness |
| Dimensions | 70 x 108 x 28 mm |
| Weight | 80g |
| Colour | White |
| Power supply | 12V, 60mA typical Doesn't require external power supply (supplied by the AC Unit) |
| Mounting | Wall |
| LED indicators | 1 x Device status |
| Operating Temperature | From 0°C to 40°C |
| Operating humidity | <93% HR, no condensation |
| Stock humidity | <93% HR, no condensation |
| RoHS conformity | Compliant with RoHS directive (2002/95/CE). |
| Certifications | CE conformity to EMC directive (2004/108/EC) and Low-voltage directive (2006/95/EC) <ul style="list-style-type: none"> • EN 60950-1 • EN 301489-1 v1.8.1 • EN 301489-17 v2.1.1 |

Table 2.1 Technical features